
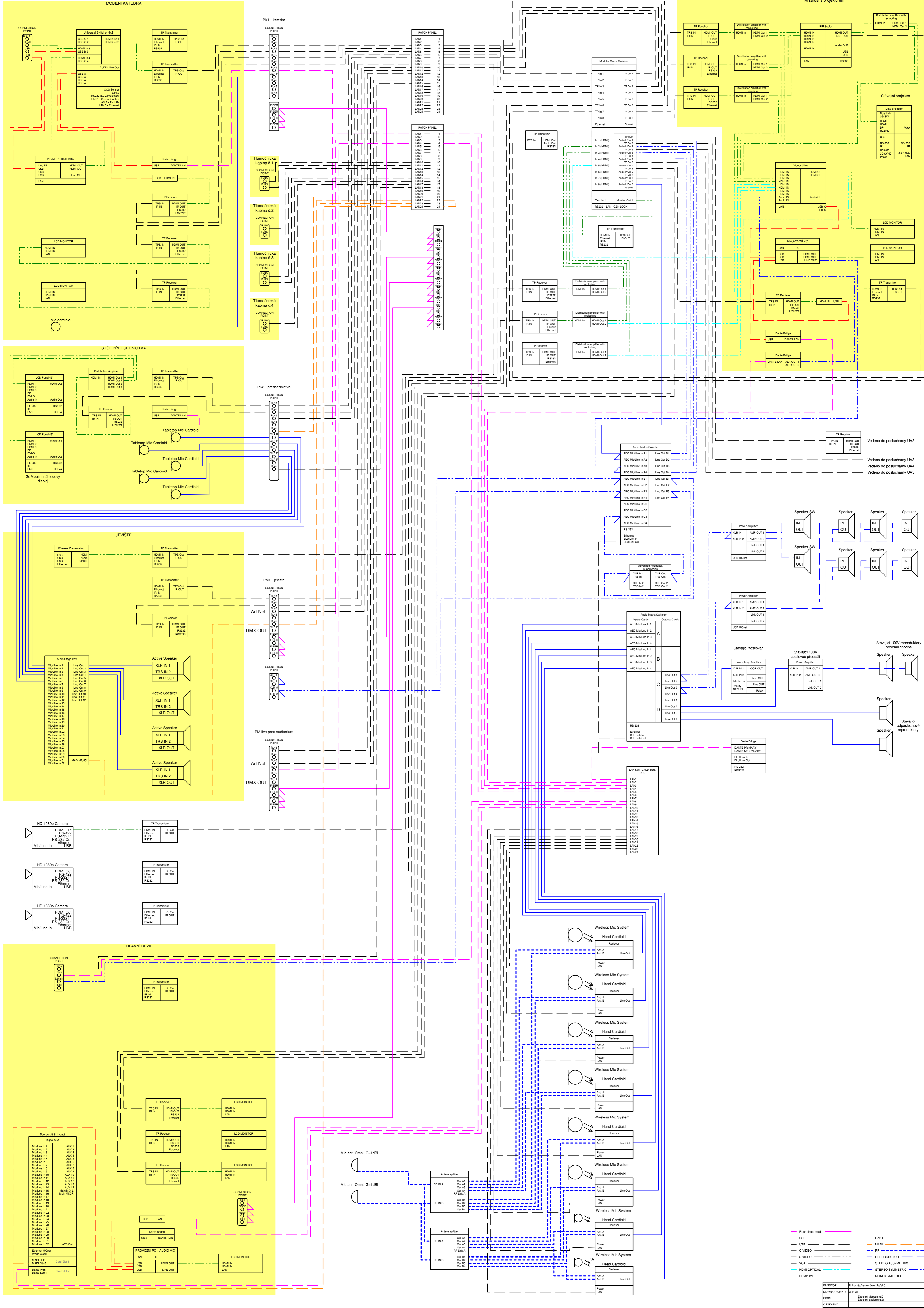
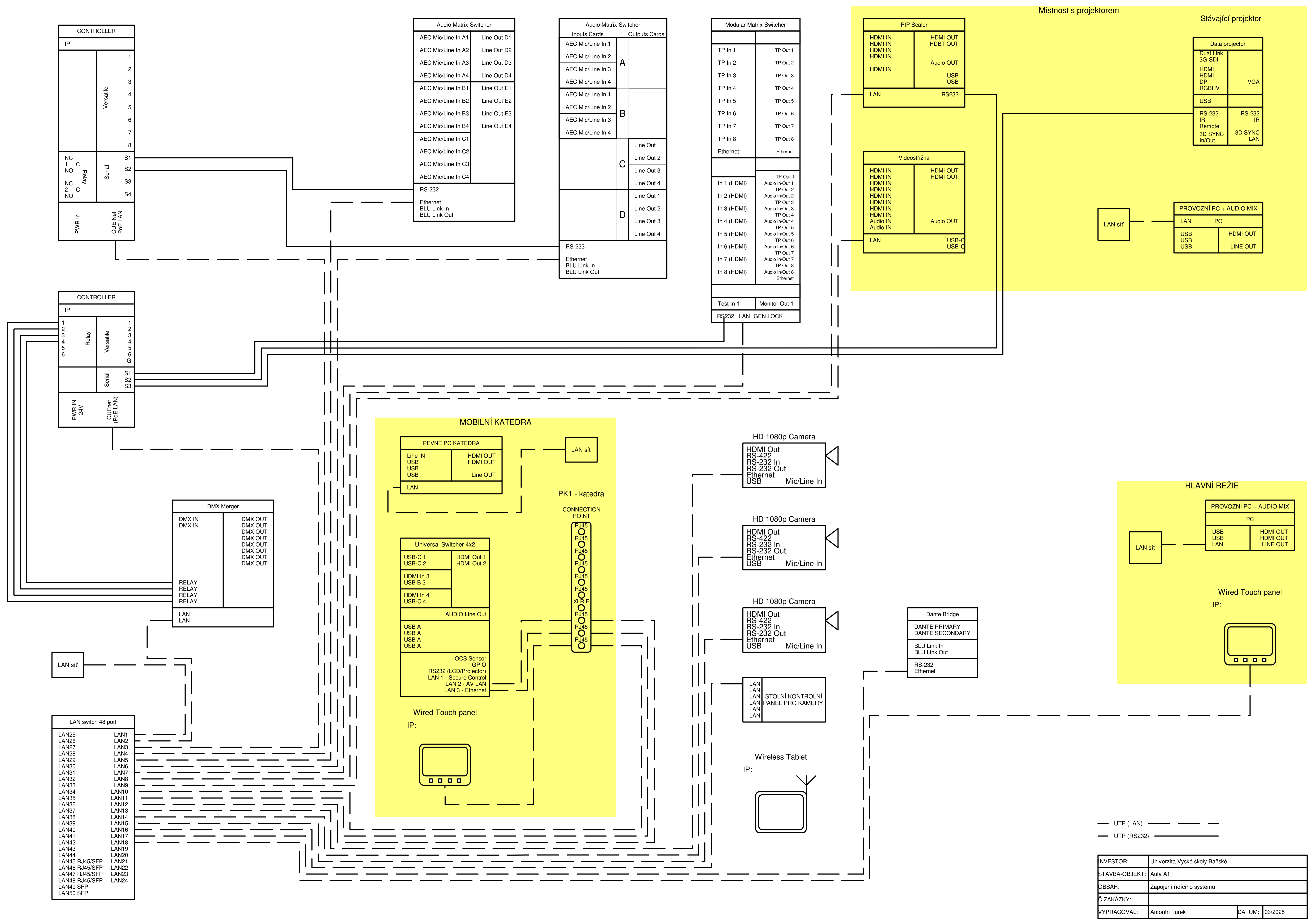


| | | | | |
|---|--------------------|--|-----|-----------------|
| AKCE: Vysoká škola Báňská – Technická univerzita Ostrava 17.listopadu 2172/15, Ostrava-Poruba, 708 00 | |  <small>DESIGN 4 AVI s.r.o. design4avi@design4avi.cz 102 00 PRAHA 10, Pražská 63</small> | | Č. PARÉ: |
| VYPRACOVAL: | Antonín Turek, DiS | | | |
| VEDOUcí PROJEKTANT: | Ondřej Sedláček | STUPEŇ: | DPS | |
| INVESTOR: Vysoká škola Báňská | | MĚŘÍTKO: | | |
| OBSAH: AV TECHNIKA - upgrade AV vybavení - revize 02/2025 SCHÉMATA ZAPOJENÍ | | Č. VÝKRESU: AV03 | | |





| CONTROLLER | | | |
|------------|-----------|-----------------|--|
| IP: | | | |
| 1 | Versatile | | |
| 2 | | | |
| 3 | | | |
| 4 | | | |
| 5 | | | |
| 6 | | | |
| 7 | | | |
| 8 | | | |
| NC 1 | Serial | S1 | |
| NO C | | S2 | |
| NC 2 | | S3 | |
| NO C | | S4 | |
| PWR In | | CUE Net PoE LAN | |

| Audio Matrix Switcher | |
|---|-------------|
| AEC Mic/Line In A1 | Line Out D1 |
| AEC Mic/Line In A2 | Line Out D2 |
| AEC Mic/Line In A3 | Line Out D3 |
| AEC Mic/Line In A4 | Line Out D4 |
| AEC Mic/Line In B1 | Line Out E1 |
| AEC Mic/Line In B2 | Line Out E2 |
| AEC Mic/Line In B3 | Line Out E3 |
| AEC Mic/Line In B4 | Line Out E4 |
| AEC Mic/Line In C1 | Line Out F1 |
| AEC Mic/Line In C2 | Line Out F2 |
| AEC Mic/Line In C3 | Line Out F3 |
| AEC Mic/Line In C4 | Line Out F4 |
| RS-232 | |
| Ethernet BLU Link In BLU Link Out | |

| Audio Matrix Switcher | | | | |
|---|---------------|------------|--|--|
| Inputs Cards | Outputs Cards | | | |
| AEC Mic/Line In 1 | A | Line Out 1 | | |
| AEC Mic/Line In 2 | | | | |
| AEC Mic/Line In 3 | | | | |
| AEC Mic/Line In 4 | | | | |
| AEC Mic/Line In 1 | B | Line Out 2 | | |
| AEC Mic/Line In 2 | | | | |
| AEC Mic/Line In 3 | | | | |
| AEC Mic/Line In 4 | | | | |
| | C | Line Out 3 | | |
| | | | | |
| | | | | |
| | | | | |
| | D | Line Out 4 | | |
| | | | | |
| | | | | |
| | | | | |
| RS-232 | | | | |
| Ethernet BLU Link In BLU Link Out | | | | |

| Modular Matrix Switcher | |
|-------------------------|---------------|
| TP In 1 | TP Out 1 |
| TP In 2 | TP Out 2 |
| TP In 3 | TP Out 3 |
| TP In 4 | TP Out 4 |
| TP In 5 | TP Out 5 |
| TP In 6 | TP Out 6 |
| TP In 7 | TP Out 7 |
| TP In 8 | TP Out 8 |
| Ethernet | |
| | |
| In 1 (HDMI) | TP Out 1 |
| In 2 (HDMI) | TP Out 2 |
| In 3 (HDMI) | TP Out 3 |
| In 4 (HDMI) | TP Out 4 |
| In 5 (HDMI) | TP Out 5 |
| In 6 (HDMI) | TP Out 6 |
| In 7 (HDMI) | TP Out 7 |
| In 8 (HDMI) | TP Out 8 |
| Ethernet | |
| | |
| Test In 1 | Monitor Out 1 |
| RS232 LAN GEN LOCK | |

Místnost s projektorom

| PIP Scaler | |
|------------|-----------|
| HDMI IN | HDMI OUT |
| HDMI IN | HDBT OUT |
| HDMI IN | Audio OUT |
| HDMI IN | USB |
| | USB |
| LAN | RS232 |

| Videostřížna | |
|--------------|-----------|
| HDMI IN | HDMI OUT |
| HDMI IN | HDMI OUT |
| HDMI IN | HDMI OUT |
| HDMI IN | HDMI OUT |
| HDMI IN | HDMI OUT |
| HDMI IN | HDMI OUT |
| HDMI IN | HDMI OUT |
| HDMI IN | HDMI OUT |
| Audio IN | Audio OUT |
| Audio IN | |
| LAN | USB-C |
| | USB-C |

| CONTROLLER | | | |
|------------|--------|-------------------|--|
| IP: | | | |
| 1 | Relay | | |
| 2 | | | |
| 3 | | | |
| 4 | | | |
| 5 | | | |
| 6 | | | |
| NC 1 | Serial | S1 | |
| NO C | | S2 | |
| NC 2 | | S3 | |
| PWR IN 24V | | CUE Net (PoE LAN) | |

| DMX Merger | |
|------------|---------|
| DMX IN | DMX OUT |
| DMX IN | DMX OUT |
| DMX IN | DMX OUT |
| DMX IN | DMX OUT |
| DMX IN | DMX OUT |
| DMX IN | DMX OUT |
| RELAY | RELAY |
| RELAY | RELAY |
| RELAY | RELAY |
| LAN | LAN |

MOBILNÍ KATEDRA

| PEVNÉ PC KATEDRA | |
|------------------|----------|
| Line IN | HDMI OUT |
| USB | HDMI OUT |
| USB | Line OUT |
| USB | |
| LAN | |

PK1 - katedra

CONNECTION POINT

| |
|-------|
| RJ45 |
| RJ45 |
| RJ45 |
| RJ45 |
| RJ45 |
| RJ45 |
| RJ45 |
| XLR F |
| RJ45 |
| RJ45 |
| RJ45 |

| Universal Switcher 4x2 | |
|------------------------|------------|
| USB-C 1 | HDMI Out 1 |
| USB-C 2 | HDMI Out 2 |
| HDMI In 3 | |
| USB B 3 | |
| HDMI In 4 | |
| USB-C 4 | |
| AUDIO Line Out | |
| USB A | |
| USB A | |
| USB A | |
| USB A | |
| OCS Sensor GPIO | |
| RS232 (LCD/Projector) | |
| LAN 1 - Secure Control | |
| LAN 2 - AV LAN | |
| LAN 3 - Ethernet | |

Wired Touch panel

IP:

| LAN switch 48 port | |
|--------------------|-------|
| LAN25 | LAN1 |
| LAN26 | LAN2 |
| LAN27 | LAN3 |
| LAN28 | LAN4 |
| LAN29 | LAN5 |
| LAN30 | LAN6 |
| LAN31 | LAN7 |
| LAN32 | LAN8 |
| LAN33 | LAN9 |
| LAN34 | LAN10 |
| LAN35 | LAN11 |
| LAN36 | LAN12 |
| LAN37 | LAN13 |
| LAN38 | LAN14 |
| LAN39 | LAN15 |
| LAN40 | LAN16 |
| LAN41 | LAN17 |
| LAN42 | LAN18 |
| LAN43 | LAN19 |
| LAN44 | LAN20 |
| LAN45 Rj45/SFP | LAN21 |
| LAN46 Rj45/SFP | LAN22 |
| LAN47 Rj45/SFP | LAN23 |
| LAN48 Rj45/SFP | LAN24 |
| LAN49 SFP | |
| LAN50 SFP | |

| HD 1080p Camera | |
|-----------------|-------------|
| HDMI Out | Mic/Line In |
| RS-422 | |
| RS-232 In | |
| RS-232 Out | |
| Ethernet | |
| USB | |

| HD 1080p Camera | |
|-----------------|-------------|
| HDMI Out | Mic/Line In |
| RS-422 | |
| RS-232 In | |
| RS-232 Out | |
| Ethernet | |
| USB | |

| HD 1080p Camera | |
|-----------------|-------------|
| HDMI Out | Mic/Line In |
| RS-422 | |
| RS-232 In | |
| RS-232 Out | |
| Ethernet | |
| USB | |

| | |
|-----|-----------------------------------|
| LAN | STOLNÍ KONTROLNÍ PANEL PRO KAMERY |
| LAN | |
| LAN | |
| LAN | |
| LAN | |

| Wireless Tablet | |
|-----------------|--|
| IP: | |

| Dante Bridge | |
|-----------------|-----------------|
| DANTE PRIMARY | DANTE SECONDARY |
| BLU Link In | BLU Link Out |
| RS-232 Ethernet | |

HLAVNÍ REŽIE

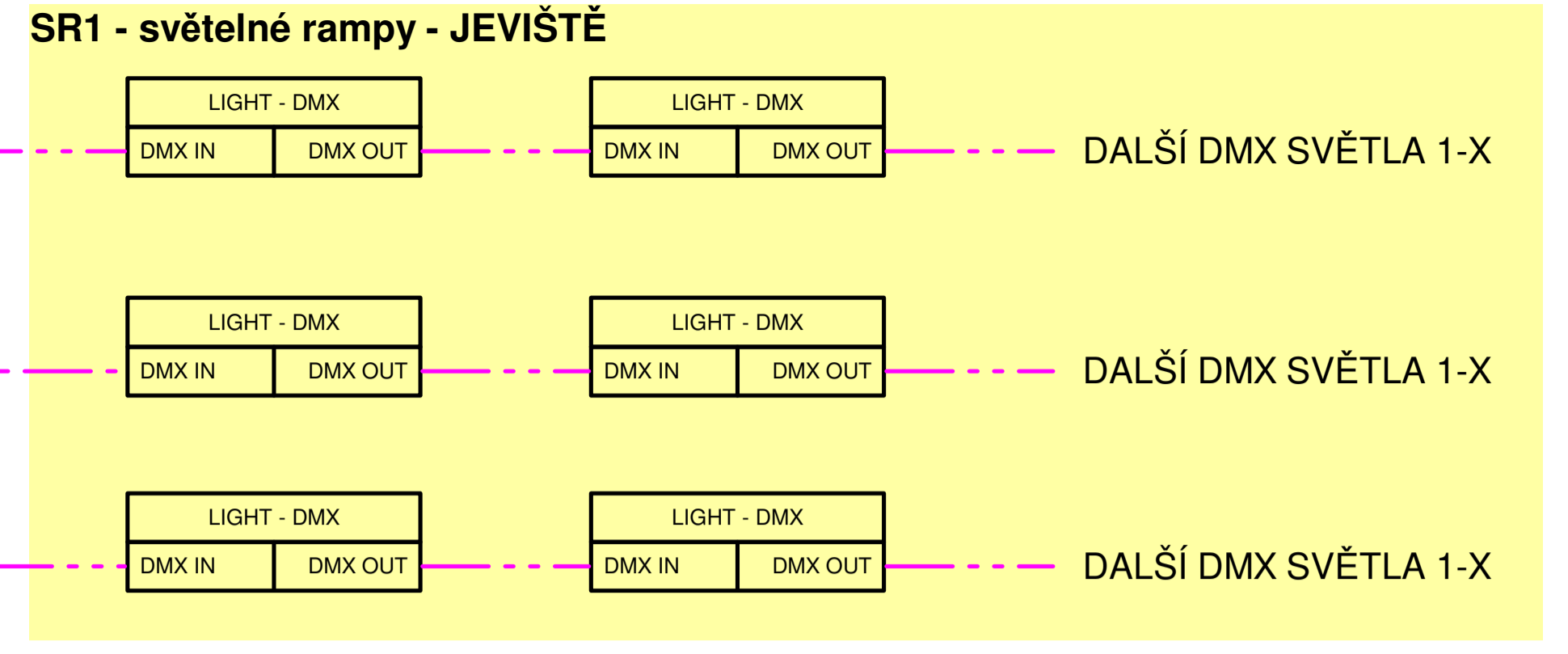
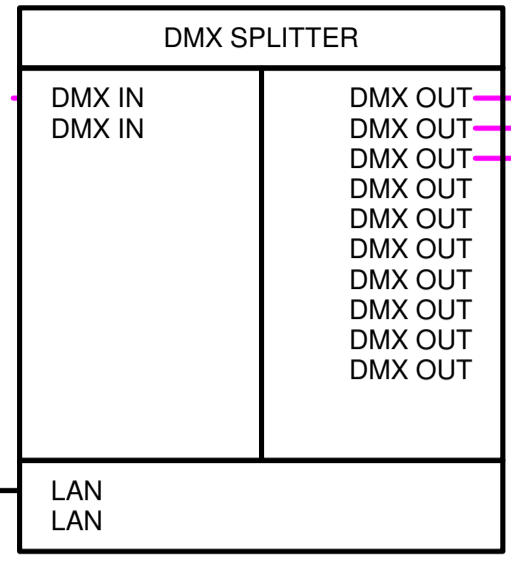
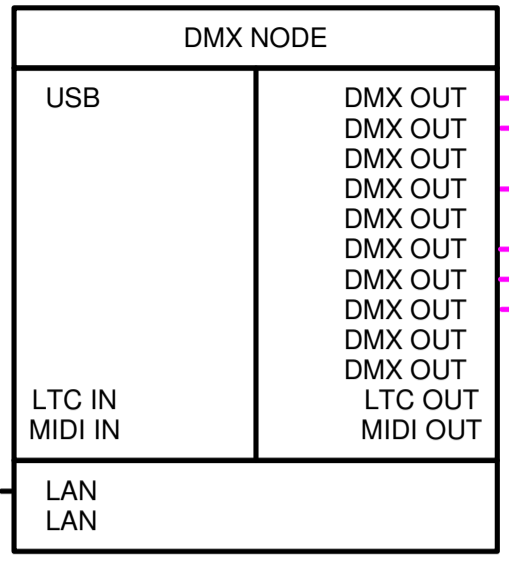
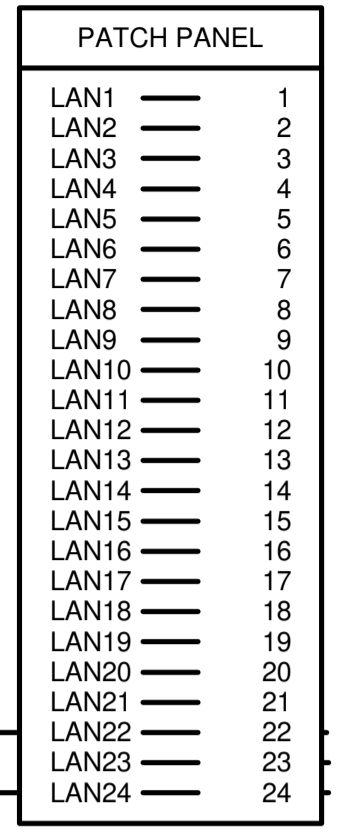
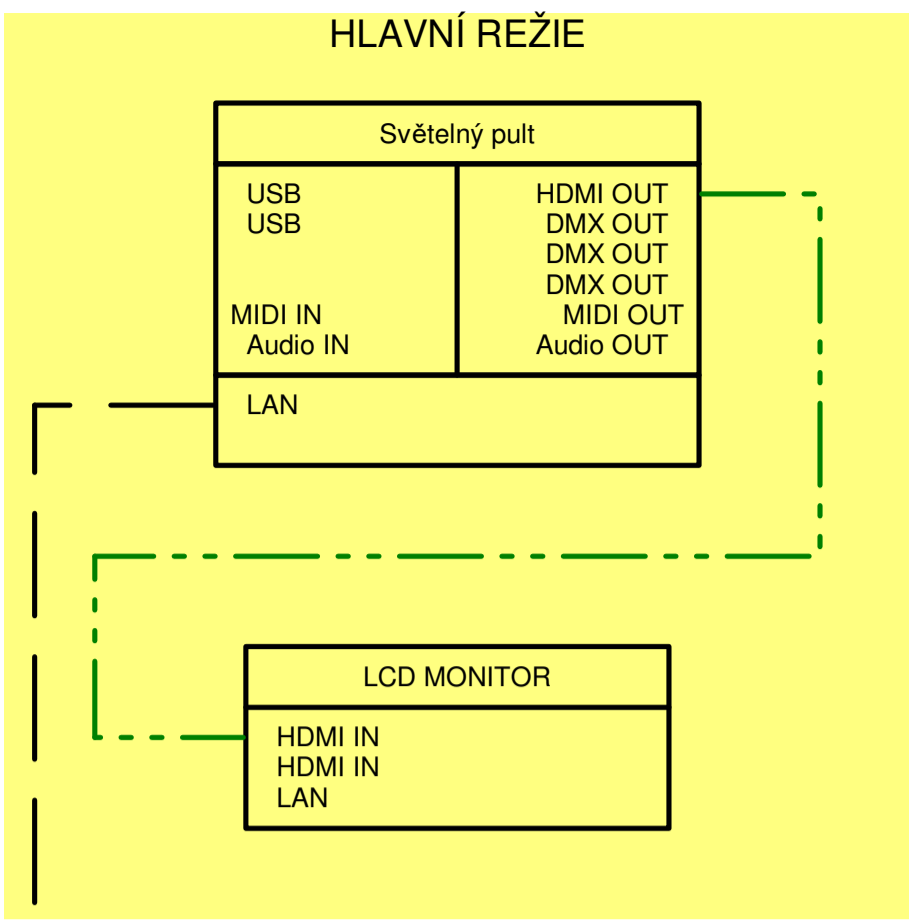
| PROVOZNÍ PC + AUDIO MIX | |
|-------------------------|----------|
| PC | |
| USB | HDMI OUT |
| USB | HDMI OUT |
| LAN | LINE OUT |

Wired Touch panel

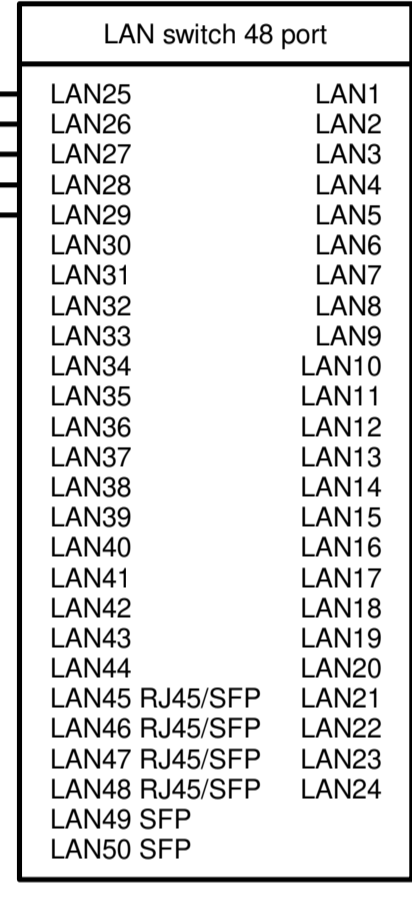
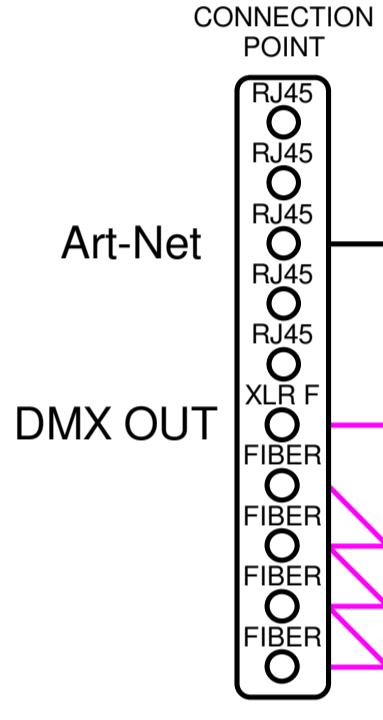
IP:

— UTP (LAN) —
 — UTP (RS232) —

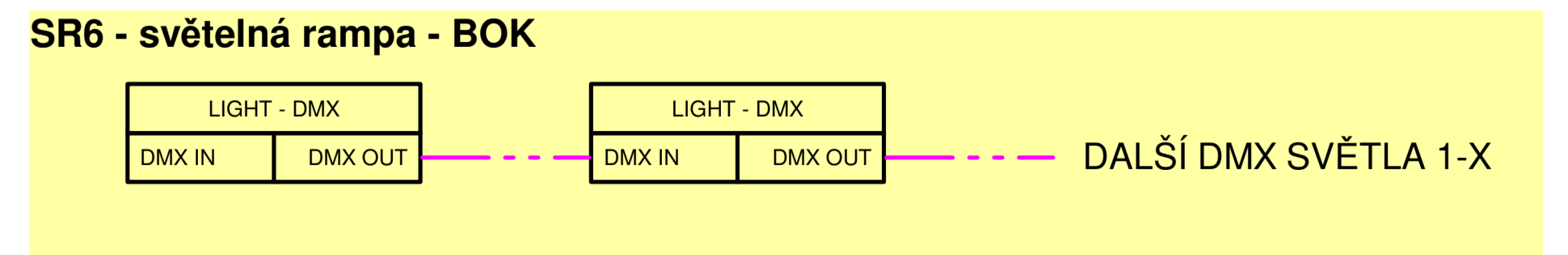
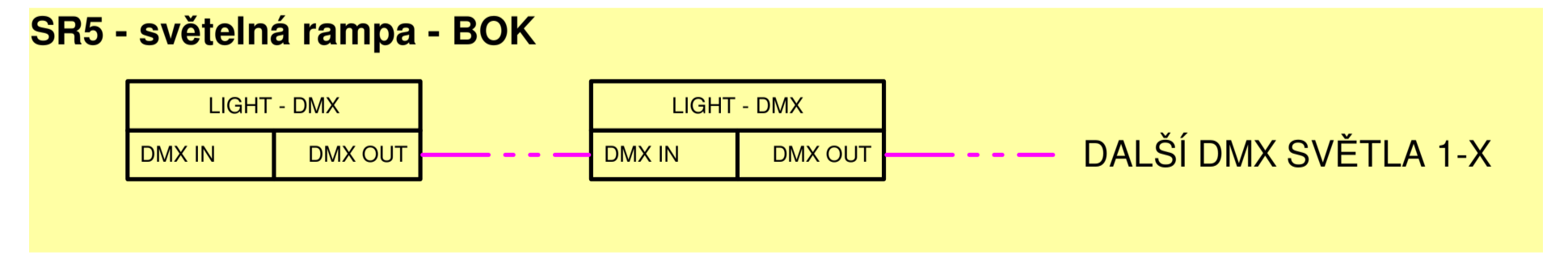
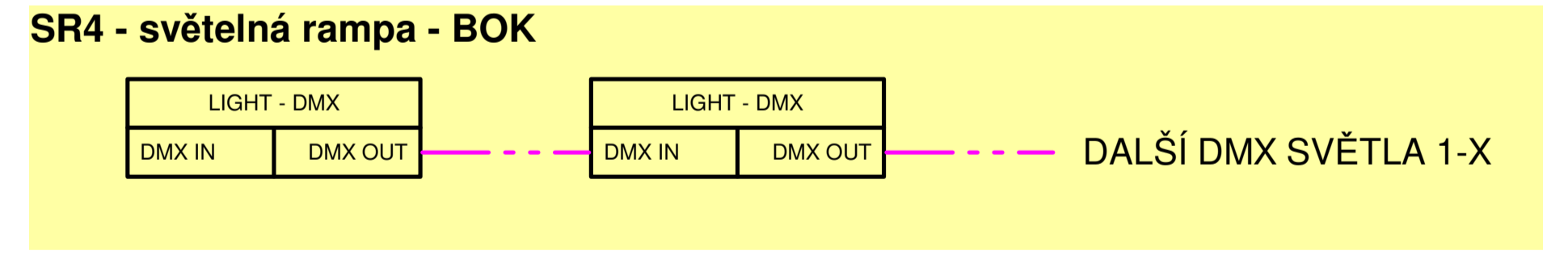
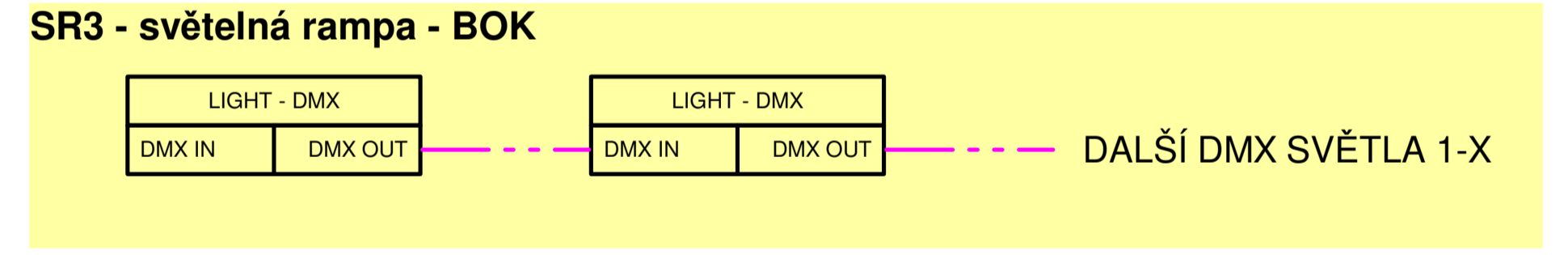
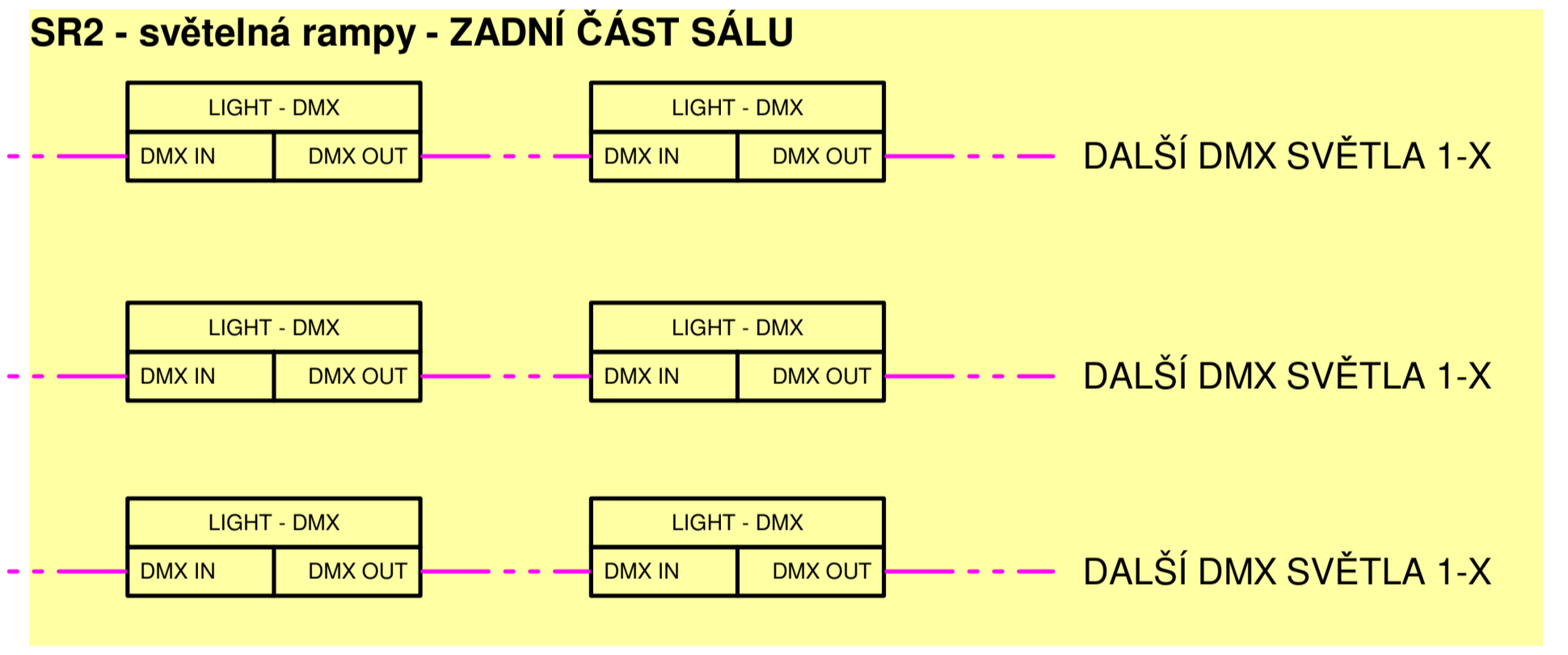
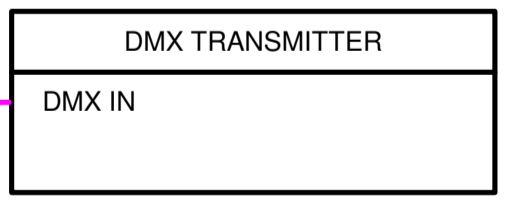
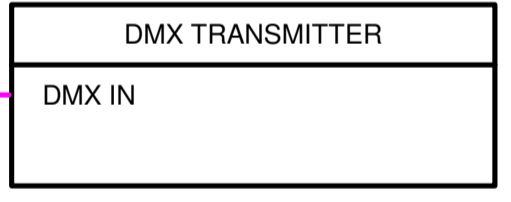
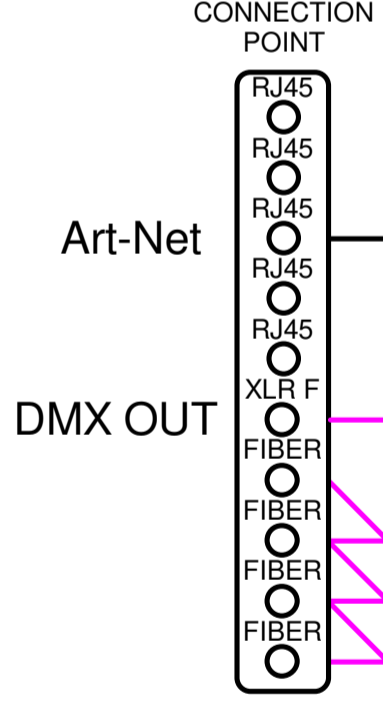
| | |
|----------------|-------------------------------|
| INVESTOR: | Univerzita Vyské školy Báňské |
| STAVBA-OBJEKT: | Aula A1 |
| OBSAH: | Zapojení řídicího systému |
| Č.ZAKÁZKY: | |
| YPRACOVAL: | Antonín Turek |
| DATUM: | 03/2025 |



PM live post auditorium



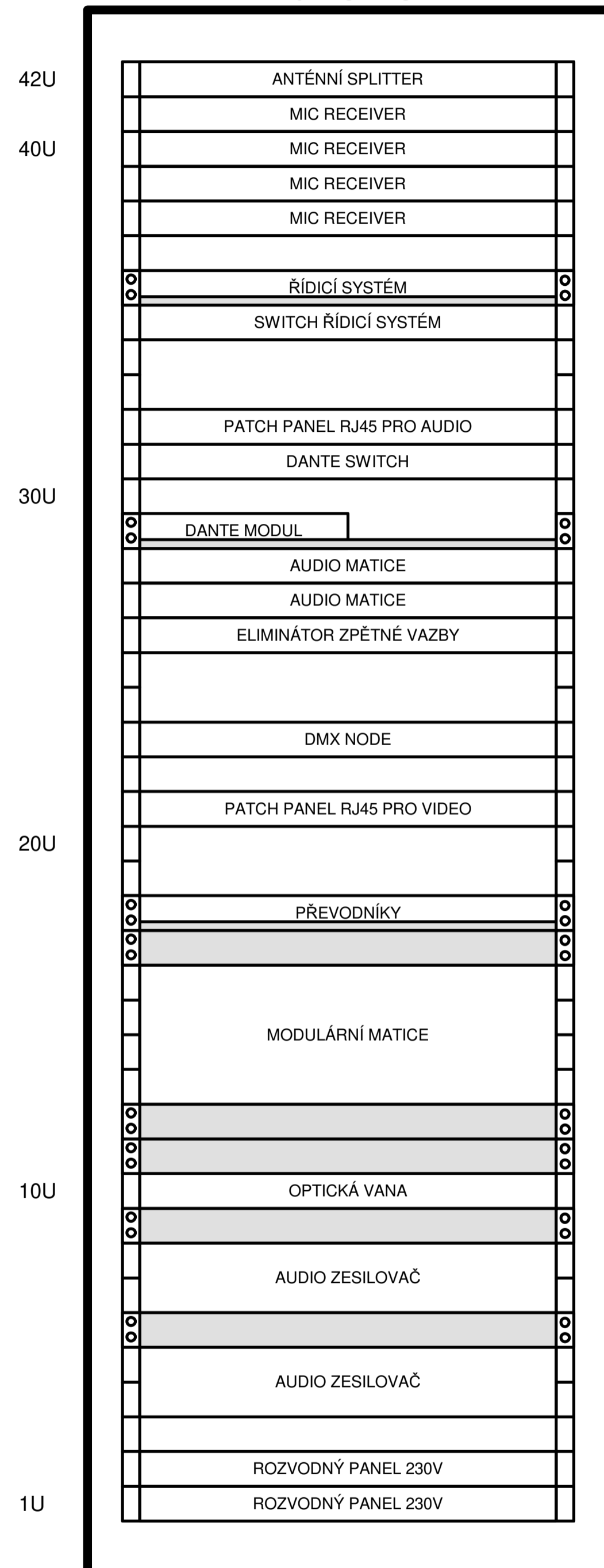
PM1 - jeviště



| | |
|----------------|-------------------------------|
| INVESTOR: | Univerzita Vyské školy Báňské |
| STAVBA-OBJEKT: | Aula A1 |
| OBSAH: | Scénické osvětlení |
| Č.ZAKÁZKY: | |
| VYPRACOVAL: | Antonín Turek |
| DATAUM: | 03/2025 |

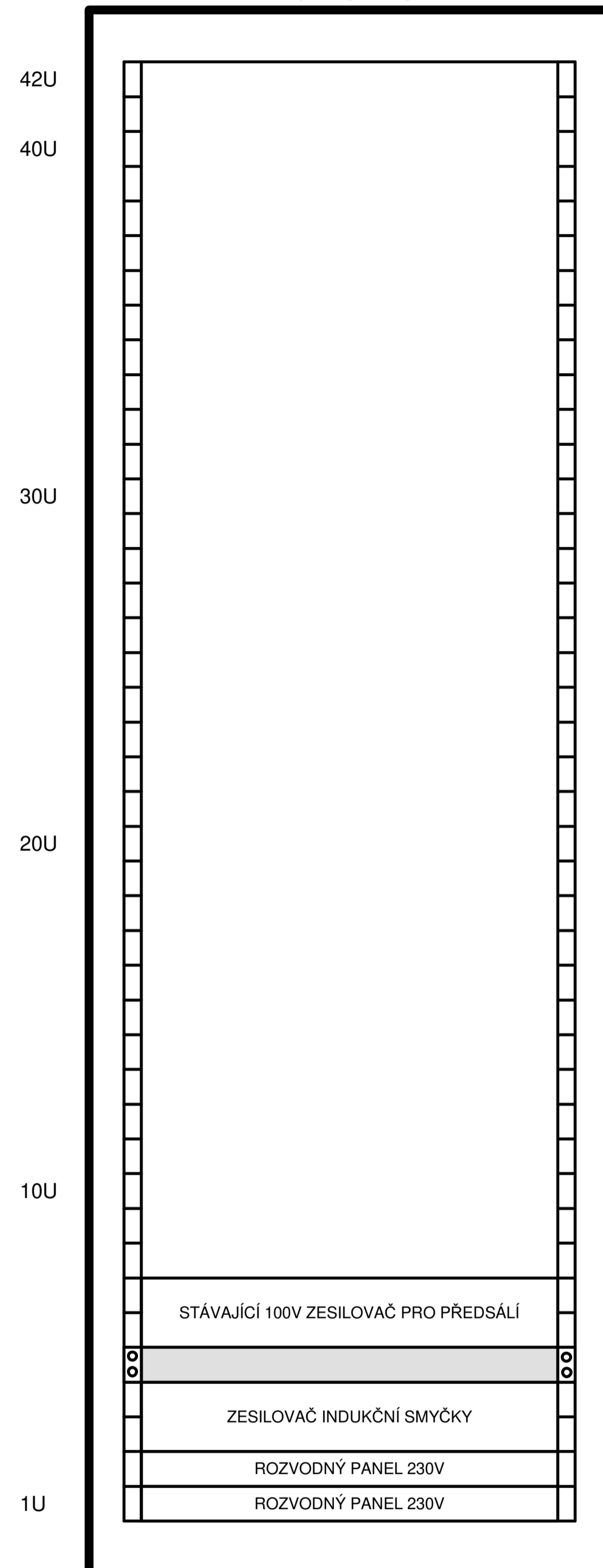
TECHNICKÉ ZÁZEMÍ - RACK RA2-UA1

19"RACK 42U



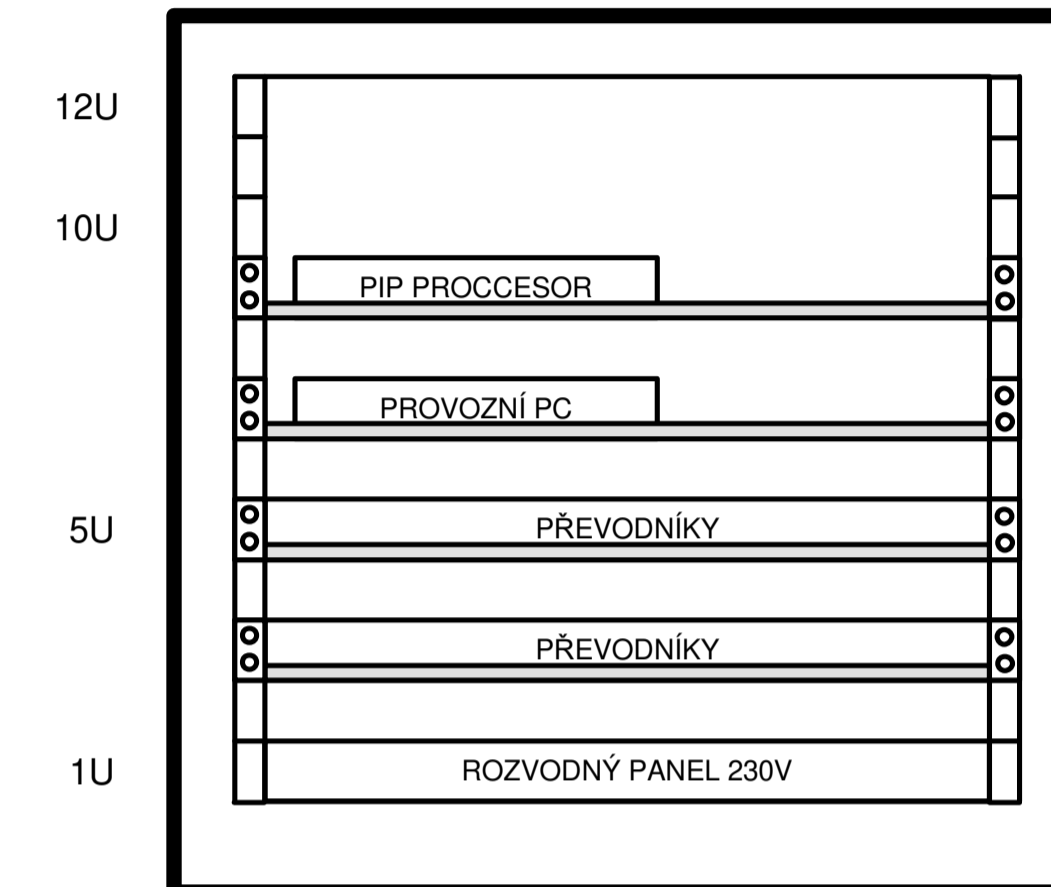
TECHNICKÉ ZÁZEMÍ - RACK RA3-UA1

19"RACK 42U



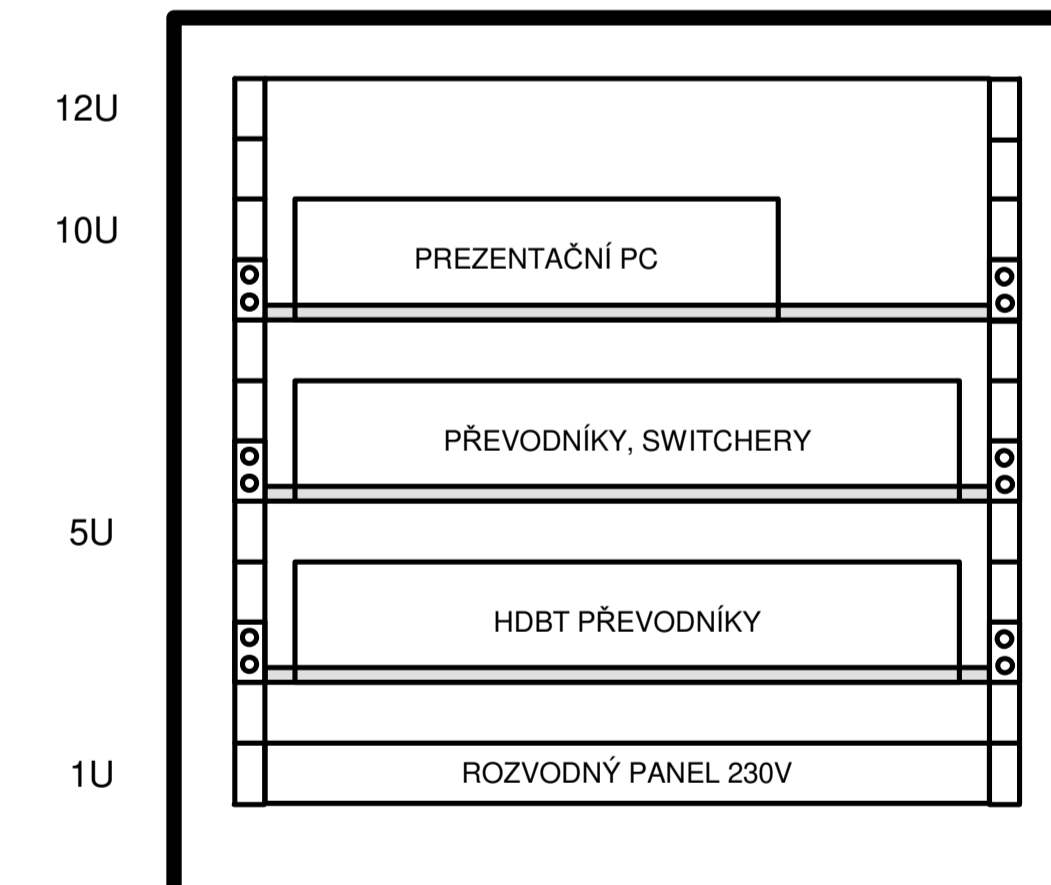
MÍSTNOST S PROJEKTOREM RACK RA6

19"RACK 12U



KATEDRA - RACK RA5-UA1

19"RACK 12U



| | |
|----------------|-------------------------------|
| INVESTOR: | Univerzita Vyské školy Báňské |
| STAVBA-OBJEKT: | Aula A1 |
| OBSAH: | Vybavení 19" racku |
| Č.ZAKÁZKY: | |
| VYPRACOVAL: | Antonín Turek |
| DATUM: | 03/2025 |